

**Glass**

Single Glazed as standard. Can be Double glazed.
Glass thickness up to 27mm
Available on request Low Iron Glass, Low Maintenance Coatings, Solar Control Coatings, IQ Heated Glass, Privacy Glass, Electro Chromic Glass, Coloured/Decorative Interlayer (available on small sizes), Acoustic Interlayer (available on small sizes), Anti Reflective Glass

Opening Configurations

Available as
Sliding door / Sliding Pocket door / Pivot door / Hinged Casement door / Bi-Folding door / Window
Bottom Hung / Double Vented (French Opening) / Top Hung
Inward or Outward Opening. / Projected Top Hung / Vertically Pivoting window / Horizontally Pivoting window

Frame

Non-Thermally Broken.
Frame Depth 42mm-47mm
Vent and Frame size 55mm

Glazing Bars

Optional Small T muntin bars of only 23mm or 29mm width
to divide glass into smaller panes / Adhered glazing bars to mimic typical industrial windows.

Frame Finish

Galvanized Steel PPC
Powder coated in any RAL colour

Maximum Sizes

Fixed 1500mm x 2200mm OR 1975mm x 670mm
Side Hung 750mm x 2200mm
Bottom Hung 750mm x 2200mm OR 1975mm x 670mm

Weight Restrictions


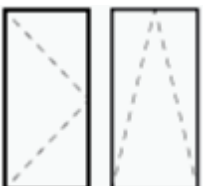
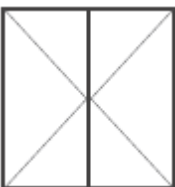
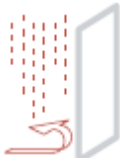



Sliding doors up to 250KG available with soft closing
Sliding doors exceeding 250KG unavailable as soft closing

Ironmongery

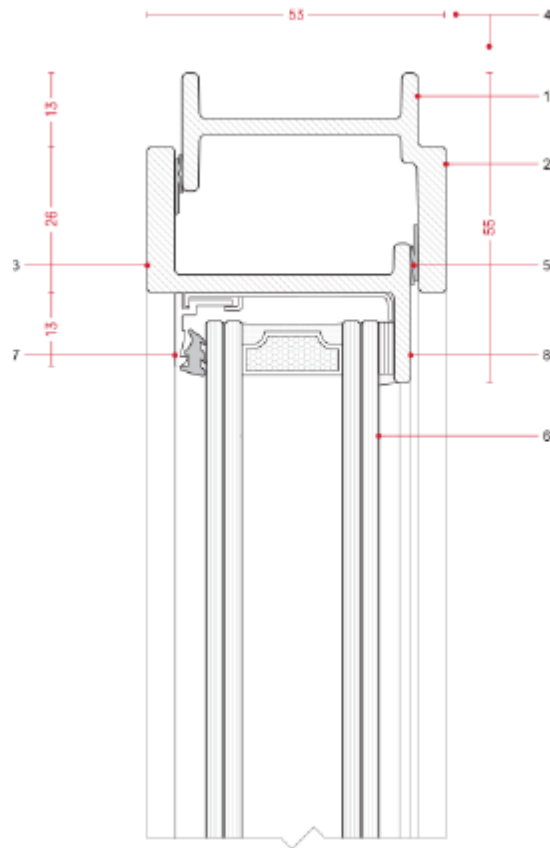
Handle Options
A range of handle options available



Performance

| | |  |  |  |
|---|----------------------------------|---|--|---|
| | Tests | Inward Opening | Outward Opening | Inward Opening |
| EN12208  | Water tightness | Up to Class 9a — 600Pa | Up to Class 9a — 600Pa | Up to Class 6A/7B — 300 Pa |
| EN12210  | Resistance to Wind Load | Up to Class C5— 2000 Pa | Up to Class C5— 2000 Pa | Up to Class C3— 1200 Pa |
| EN12207  | Air Permeability | Up to Class 4—600 Pa | Up to Class 4—600 Pa | Up to Class 4— 600 Pa |
| ENISO 1077-1  | Heat Transfer coefficient | From 1,90W/m²K | From 1,90W/m²K | From 1,90W/m²K |

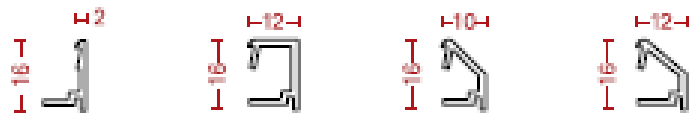
Features of CWA-40



- 1 Solid hot rolled steel profiles
- 2 Material thickness of up to 5mm
- 3 Very compact profile with minimal depth and sightlines
- 4 Self-adhesive non-shrinking gaskets
- 5 Low emissivity double-glazing of up to 27mm
- 6 Choice of different glazing beads
- 7 Appropriate for heavy-duty corrosion protection

Glazing Beads

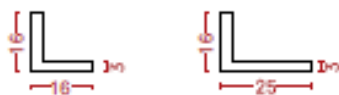
Aluminium Slide-in Glazing Beads



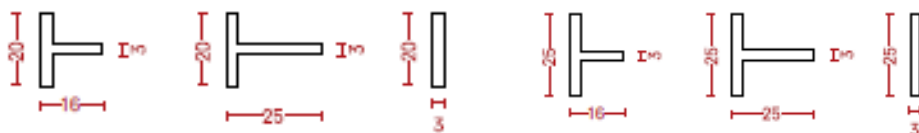
Clips for Glazing Beads



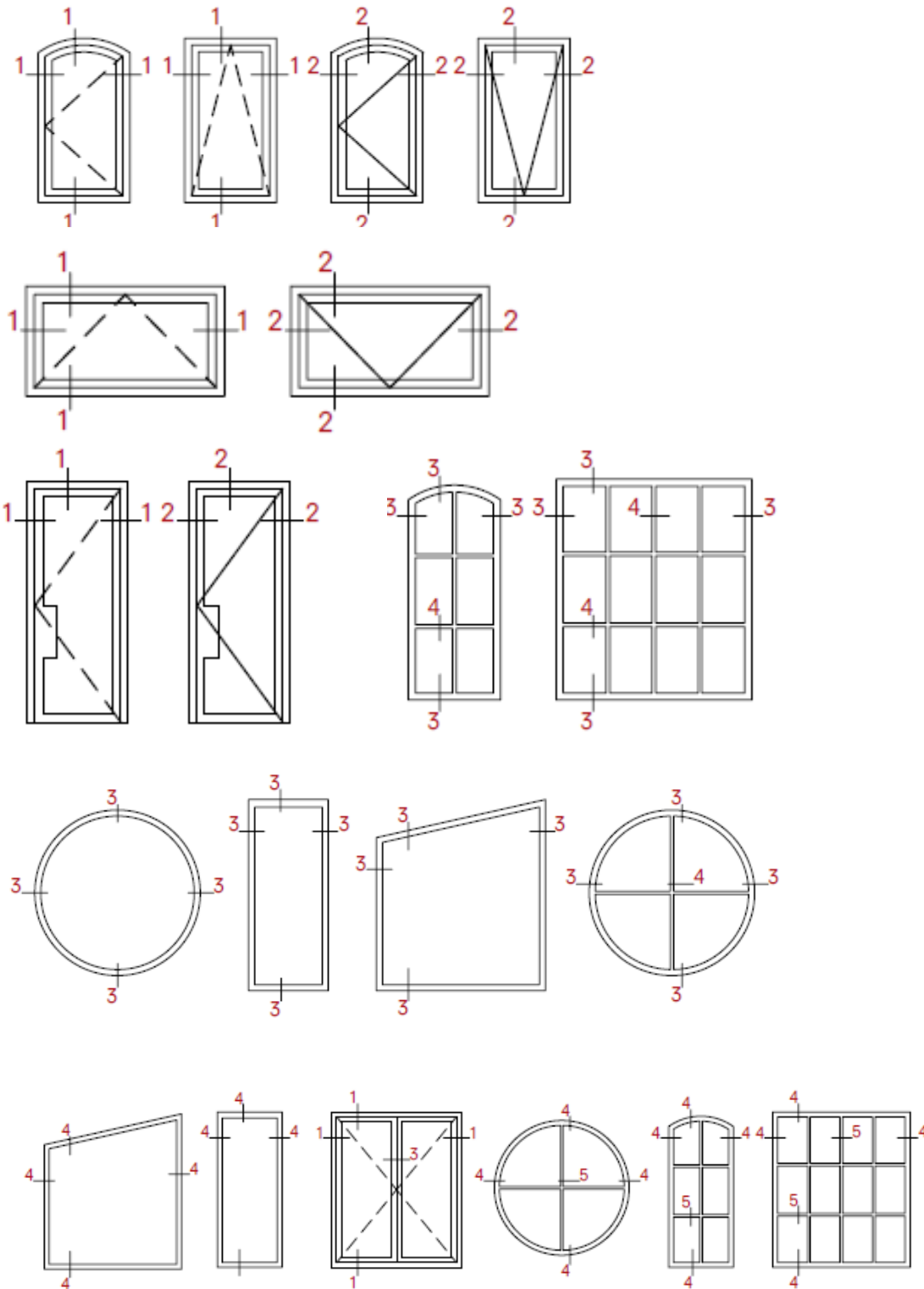
Steel Screw-on Glazing Beads



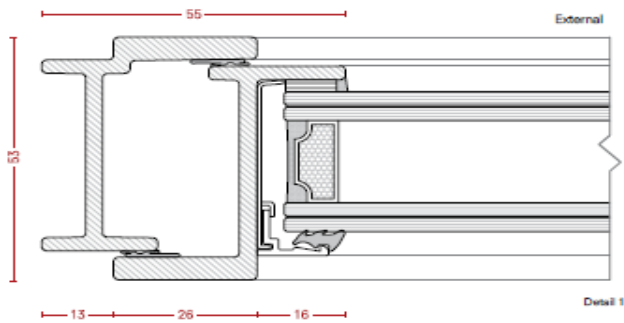
False Muntins



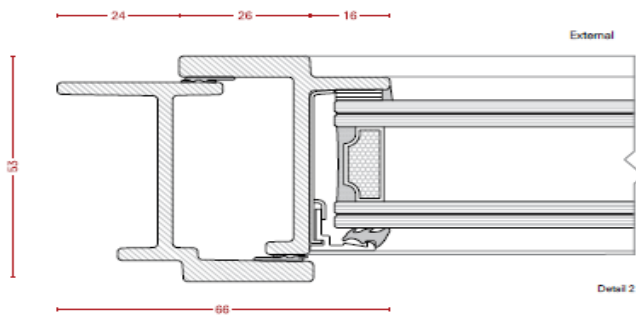
Configurations Available



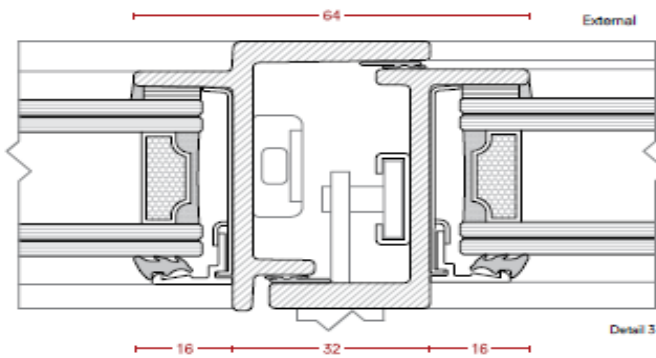
Typical Details



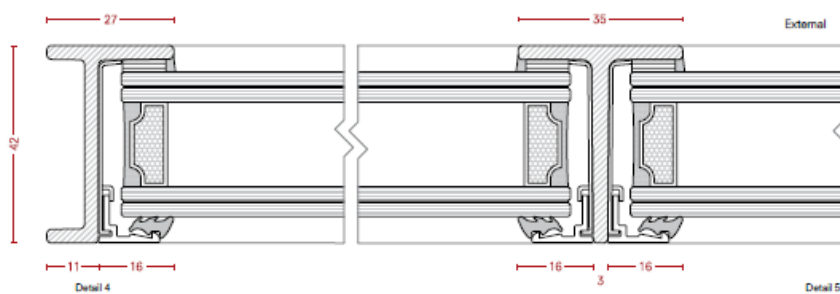
Inward opening



Outward Opening



Double Door Opening



Fixed Panel



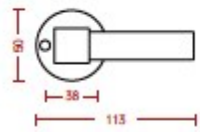
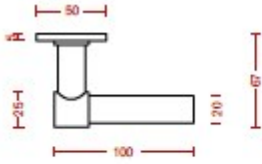
Mondrian CWA-40

Product Information Sheet

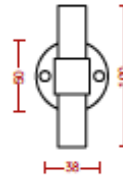
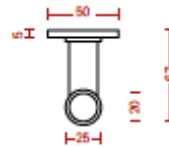
Updated April 2018

Handle Options

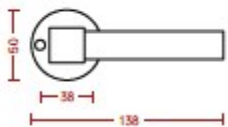
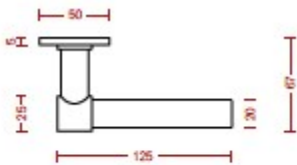
Sprung Lever Handle 20mm



Sprung T Lever Handle 20mm

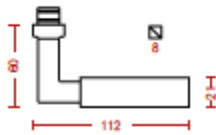


XL Sprung Lever Handle 20mm

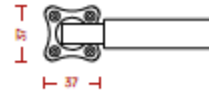


Traditional Handle Options

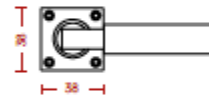
Sprung Lever Handle 20mm



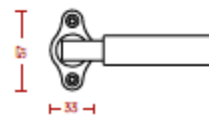
Code 750010



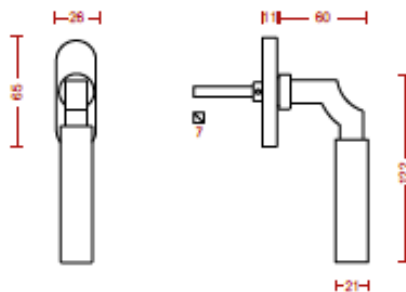
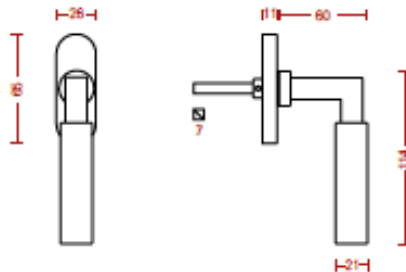
Code 750020



Code 750030



Casement Fasteners



How to Specify a Mondrian System from IQ

Mondrian Windows and Doors are first choice for architects and designers all over the UK. If you would like to specify a Mondrian product for your project just speak to the team at IQ who would be happy to assist.

Speak to the team at IQ

The team at IQ are the experts in our Mondrian product range. If you are considering using a Mondrian product on your project speak to the team at IQ who will be able to advise you on the best solution for your intended design, ensure that all specification criteria are met and advise you on any feasibility areas of the installation you may not have considered.

Get a Quotation

We advise our customers to get a quotation for intended Mondrian installations from IQ. This allows us all to ensure that the preferred product and design is within budget. If it is not we can help you adjust the specification to reach all performance, design and budgetary requirements..

Add us to your NBS Specification

To assist you in specification we have created individual NBS Specification sheets for each Mondrian product. These easy to navigate documents contain all the vital information needed for specification. They are available for your to complete on your own alternatively ask your sales representative at IQ to complete this on your behalf.

Place the Order

When ready you (or your client or the builder) can then place the order for your Mondrian Door or Window with us. A full in house handover will take place and your project will be passed to the contracts and design team. Once your project deposit is placed we will then undertake full design drawings for the Mondrian installation. Please allow at least 20 working days for the design process. The project will be appointed a dedicated contracts manager who will oversee the installation process.

Any Questions?

Contact the team at IQ who will be happy to help.